



**MISSION GROUNDWATER**

---

**भूजल अभियान**

# What is Mission Groundwater

- It's a Mission.
- It is for the people, by the people and of the people.
- All and everyone are invited to join. It is everybody's mission.
- Mission is to ensure that groundwater becomes a reliable and sustaining resource.



**MISSION GROUNDWATER**

भूजल अभियान



**MISSION GROUNDWATER**

भूजल अभियान





**MISSION GROUNDWATER**

भूजल अभियान

# Baner Pashan BDP

- The BDP area is spread over about 200 hectare.
- The rain water flows down the rocky hill, brings the soil and flows through the residential area, over streets and storm water drainage pipes.
- It erodes the soil on the way.



**MISSION GROUNDWATER**

भूजल अभियान

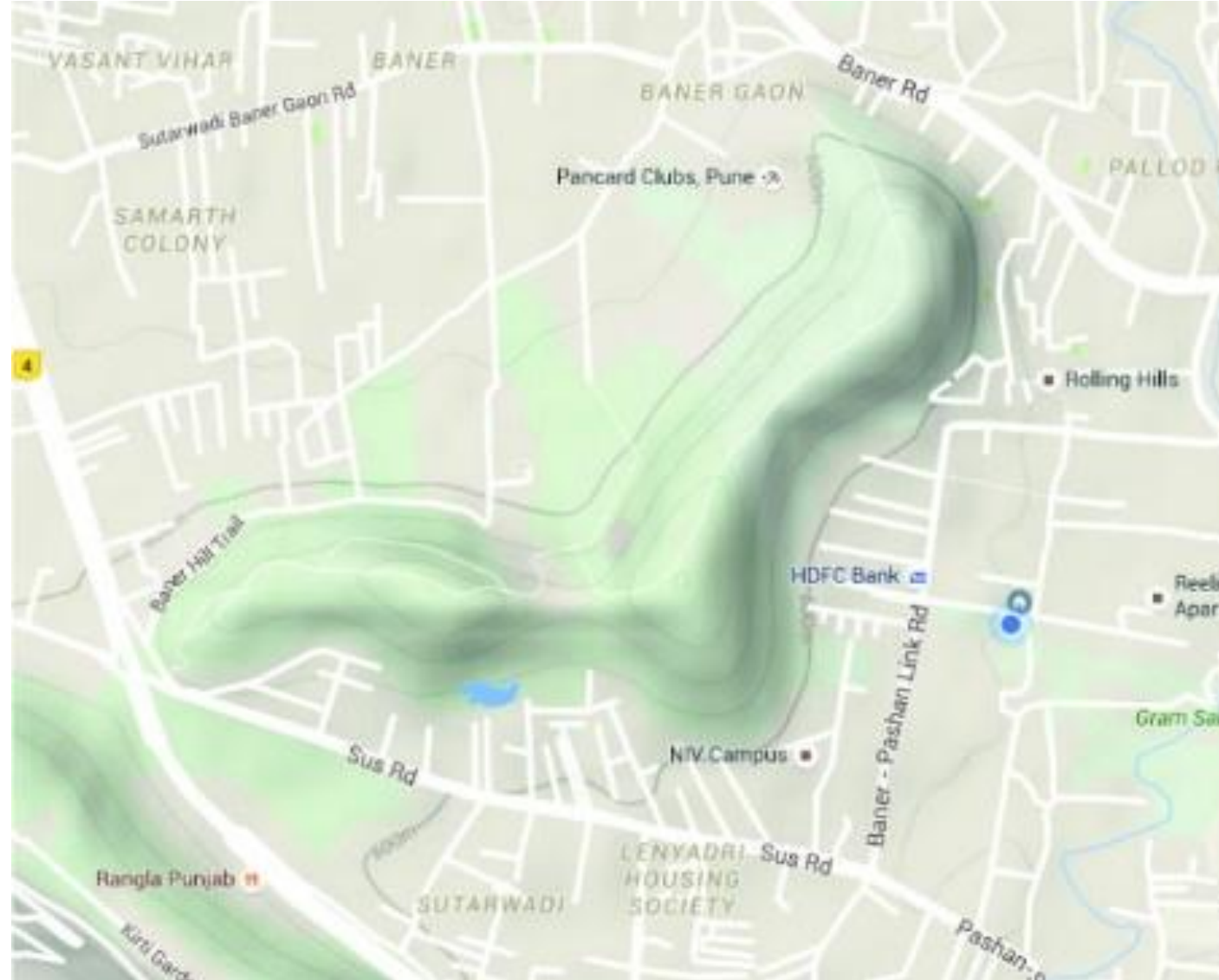
# Proposal

- It is proposed to drive the water through 25 m. vertical shafts to under ground layers of rocks.
- Each such recharging structure is to be erected every 60 m. around the hills. Total about 70 borewells for about 5 km of circumference of BDP.
- That will recharge the underground water storage already depleted.
- This is one time investment for next few decades, with minimal maintenance.



**MISSION GROUNDWATER**

भूजल अभियान





**1000 hectares of hills**  
crores of litres of water wasted





# Simple Recharge Structures

Recharge and Augment groundwater



**MISSION GROUNDWATER**

भूजल अभियान

# Benefits - Recharging

- Ground water gets recharged.
  - The current usage of yielding borewells has depleted ground water almost.
  - Most of the borewells go dry after January every year.
  - The recharging of ground water happens only naturally and hence takes thousand years.
  - We need solution to artificial tapping of water by artificial recharging.
  - We have to return the debt of mother earth.



**MISSION GROUNDWATER**

भूजल अभियान

# Benefits – Water Supply

- The yielding borewells in residential areas will start yielding water.
  - This will reduce the burden on PMC for supply of water, as the nondrinking water will be available in plenty.
  - This in turn will save the cost of filtration, distribution and maintenance of water supply.
  - This will also aid the plan of 24x7 water supply.



**MISSION GROUNDWATER**

भूजल अभियान

## Benefits - BDP

- The BDP vegetation and forest cover will grow.
  - That in turn will increase soil holding of hills.
  - The hills will get greener and cooler.
  - Thus making usage of AC's in surrounding area lesser, saving electricity.



**MISSION GROUNDWATER**

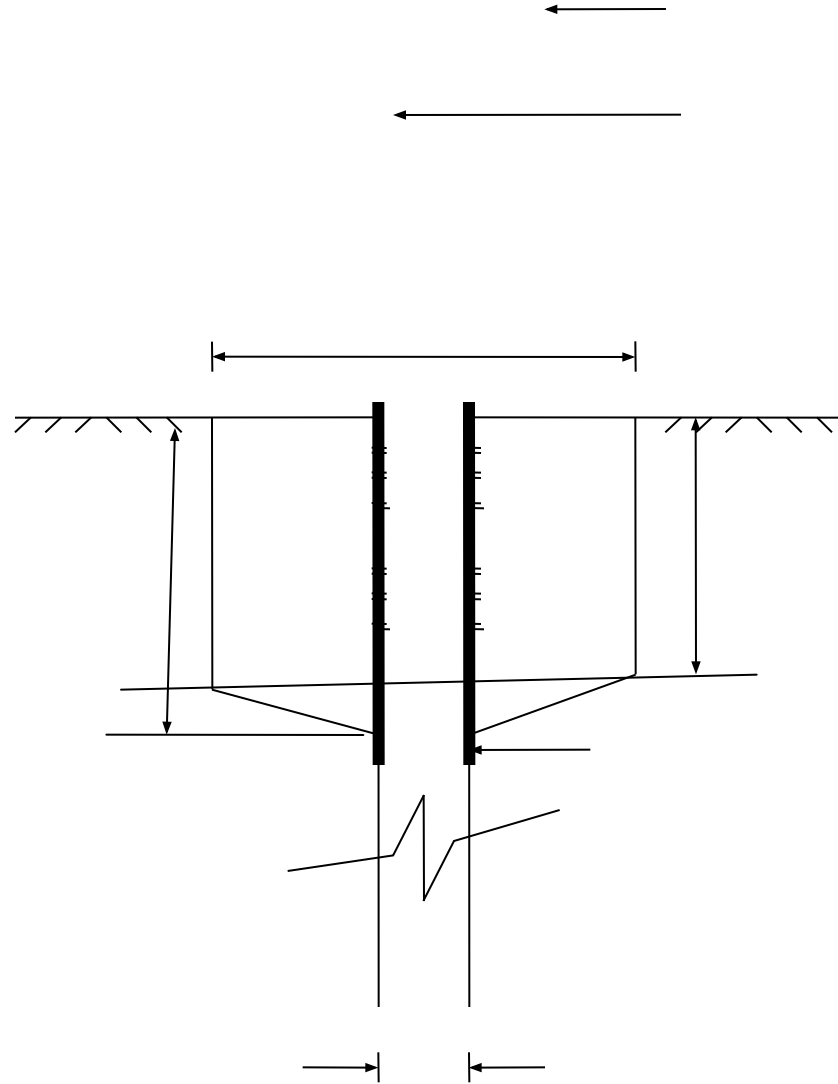
भूजल अभियान

# Benefits – Soil Erosion

- Erosion of soil is reduced.
  - As a result, less soil will come on streets.
  - This in turn will reduce accidents.
  - Roads will require less maintenance.
  - Traffic speed will not be hampered.



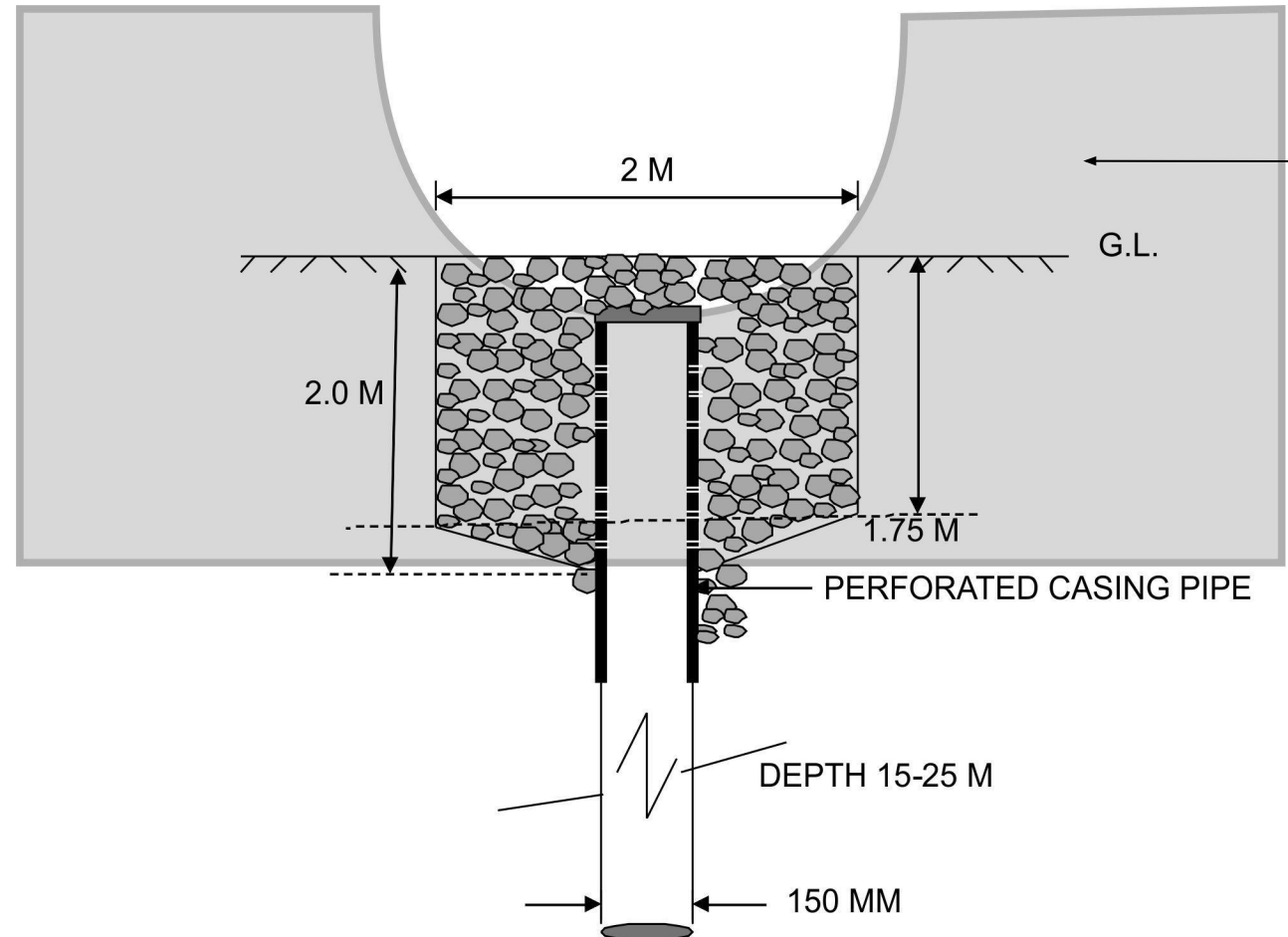
**MISSION GROUNDWATER**  
भूजल अभियान





**MISSION GROUNDWATER**

भूजल अभियान





**MISSION GROUNDWATER**

भूजल अभियान

The Project could be  
**A MODEL PROJECT**  
for the entire country